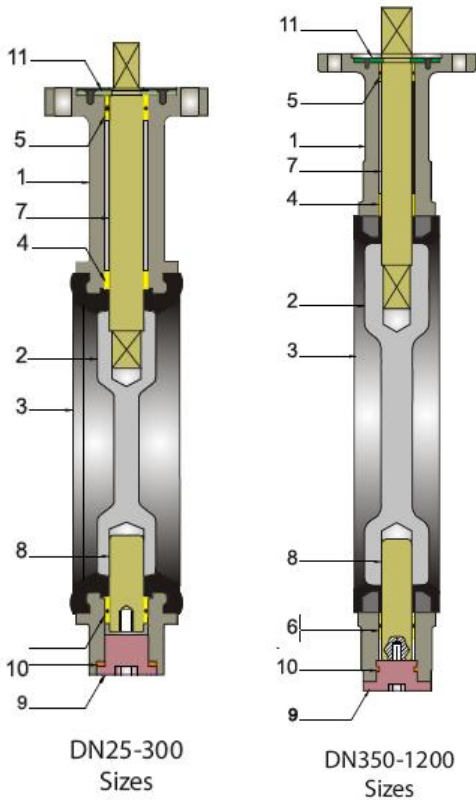




- Design:** EN 558 Series 20 (DIN3202-K1)
- Material:** Gehäuse in GG25 oder GGG40
Scheibe GGG40 (Rilsan) oder EdelstahlAISI316
- Flange:** EN1092 PN6/10/16
ANSI B 16.15 Class 150
- Herstellungsnorm:** entsprechend API-598 (EN 12266-1,2)
- Prüfabnahme:** EN 10204-3.1
- Sitze:** EPDM, NBR, Silikon, Viton
- Drehbolzen:** Edelstahl AISI316
- Ausführungen:** Zwischenflansch, Anflansch



Material List

Part No	Part Name	Available Material
1	Body	GG25 Cast Iron
		GGG 40 Ductile Iron
		AISI304 Stainless Steel
		AISI316 Stainless Steel
2	Disc	AISI316 Stainless Steel
		Rilsan Coated GGG40 Ductile Iron
		Aluminum Bronze
3	Seat	EPDM (-30° C ~ +130° C)
		NBR (-20° C ~ +110° C)
		Silicon (-30° C ~ +200° C)
		Viton (-15° C ~ +200° C)
4/5/6	Bushing	PTFE
7	Upper Stem	AISI420 Stainless Steel
		AISI316 Stainless Steel
8	Low Stem	AISI420 Stainless Steel
		AISI316 Stainless Steel
9	Cap	Carbon Steel
10	O-Ring	NBR / Copper
11	Stopper Plate	Carbon Steel

