

A team you can count on



Count, fill and close small-sized products quickly, accurately and safely with the Z-110 from Zellwag Pharmtech and the integrated multicount 60 from Collischan.

Flexible construction

- Multifomat machine for different bottle sizes and diameters
- Patented counting and dosing principle for tablets, dragées and capsules
- Self-optimizing control of product parameters
- Production output of up to 40 pieces/min
- Snap-on and screw-on closures are possible on the same machine
- Interfaces to third-party systems are freely configurable

Reliable object detection

- Novel object detection via camera system
- Reliable counting, also for products which are not clearly separated one by one on the vibration chute
- No miscounts
- Simplified parameter setting

Quality assurance

- Validated fully automatic operation
- IQ / OQ validation package available

Compact design

- Toolfree format and product change
- Easy cleaning thanks to good accessibility
- User-friendly operation
- Meets the requirements of FDA and cGMP
- Low operational costs thanks to small footprint



Footprint

2500 x 1500 mm

Configuration

Automatic container and closure infeed

Screw-on or snap-on closure

In process closure control

Non-conformity exit

Format range

Container height: 50 - 125 mm

Closure height: 10 - 40 mm

Container diameter: 30 - 75 mm

Technical data

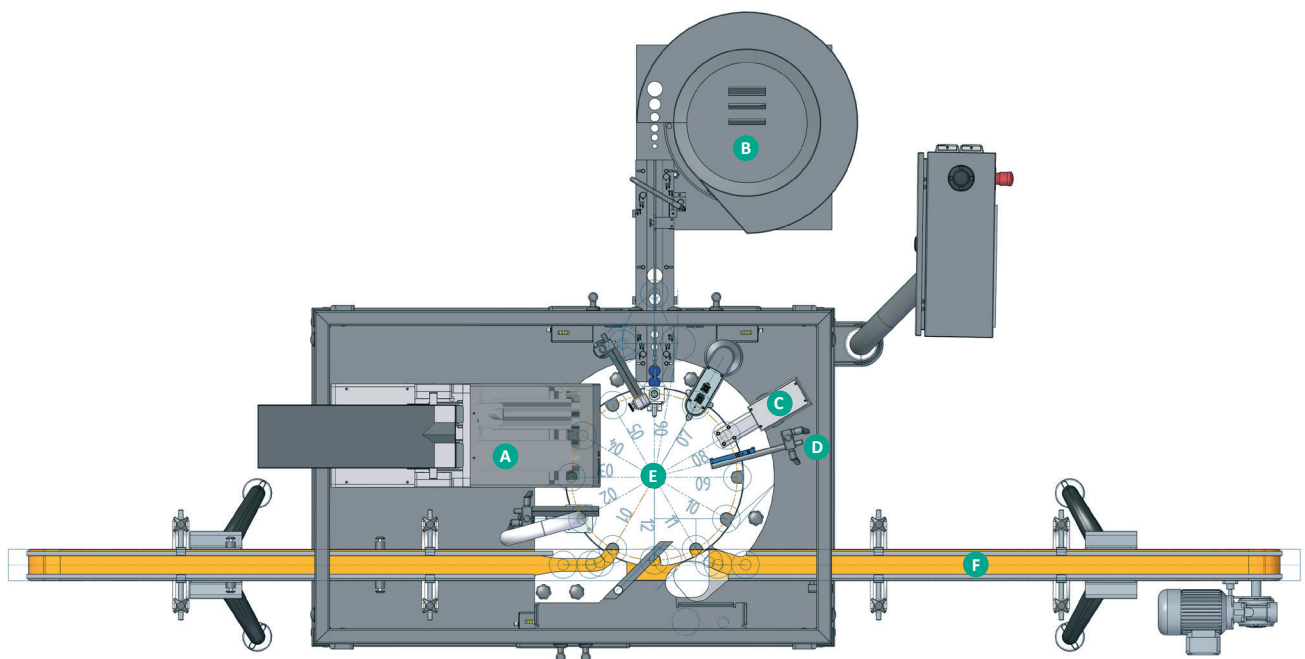
GMP Design

3 x 400 VAC, N, PE, 25 AT

> 6 bar air

Pneumatics Festo

PROCESS



1 Container infeed

2 Blow out option

3 Empty position

4 Tablet filling position

5 Empty position

6 Closure infeed and place station

7 Screw-on position

8 Closure press-on station

9 Closure control

10 Empty position

11 CF-container outfeed

12 NCF-container outfeed

A Counting machine multicount 60

B Closure infeed system

C Pressing module

D IPC-closure height control

E Star wheel

F Container in- and outfeed conveyor